

- ▶ Functions ON/OFF IMPULS, MANUAL
- ▶ Daily-, weekly and holiday program
- ▶ Automatic summertime change over
- ▶ Unrestricted block-programming
- ▶ 30 memory locations
- ▶ Illuminated LC-Display
- ▶ Sealable
- ▶ 1 or 2 change-over contacts
- ▶ Width 38,5mm
- ▶ Installation design



Technical data

1. Functions

Automatic ON
 Automatic OFF
 Automatic pulse pulse length settable from 1 to 59s
 Permanently ON/OFF
 Manual override

2. Indicators

Illuminated LC-display

3. Time base

Crystal control
 Power reserve: >6 years
 Unlimited data security by EEPROM
 Crystal accuracy: ±1.5s / day

4. Mechanical design

Self-extinguishing plastic housing, IP rating IP40
 Mounted on DIN-Rail TS 35 according to EN 50022 or wall mounting
 Shockproof terminal connection according to VBG 4 (PZ1 required), IP rating IP20
 Tightening torque: max. 4Nm
 Terminal capacity:
 1 x 1.5mm² to 10mm² without multicore cable end
 2 x 0.8mm² to 2.5mm² without multicore cable end
 1 x 1.0mm² to 6mm² flexible with multicore cable end
 2 x 0.8mm² to 2.5mm² flexible with multicore cable end

5. Input circuit

Supply voltage:
 115V AC terminals 4-8 TSC28.11 115VAC
 TSC28.21 115VAC
 230V AC terminals 4-8 TSC28.11 230VAC
 TSC28.21 230VAC
 Tolerance:
 115V AC ±10% TSC28.11 115VAC
 230V AC ±10% TSC28.11 230VAC
 Rated frequency: 50 to 60Hz
 Rated consumption:
 115V AC approx. 2.8VA TSC28 115VAC
 230V AC approx. 1.5VA TSC28 230VAC

6. Output circuit

1 potential free change-over contact TSC28.11
 2 potential free change-over contacts TSC28.21
 Switching capacity: 4000VA (16 A / 250V AC at cosφ=1)
 Shortest interval: 1min (resp. 1s for impulse)

7. Ambient conditions

Ambient temperature: -10 to +55°C
 Storage temperature: -10 to +55°C
 Transport temperature: -10 to +55°C
 Relative Humidity: <90%

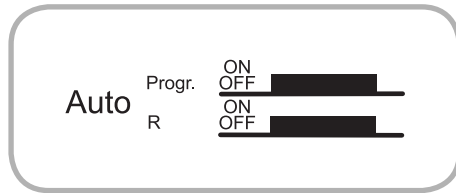
8. Accessories

KA-TSC28: sealable terminal cover

Functions

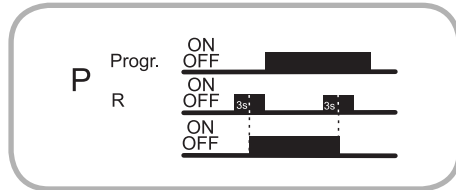
Auto

Setting of output relays according to the programmed parameters.



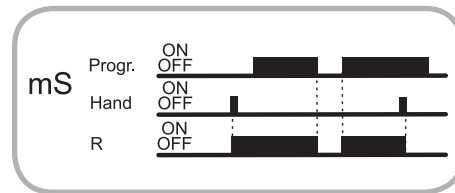
Permanently ON/OFF

With this function it is possible to fix any output relay in ON or OFF position independent to the set program parameters



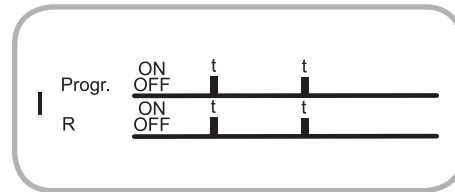
Manual override

This function forces the output relay to switch into the position given for the next program step instantaneously (even before the interval given for the actual program step has expired). The relay remains in this position until the next inverts control signal of the program occurs

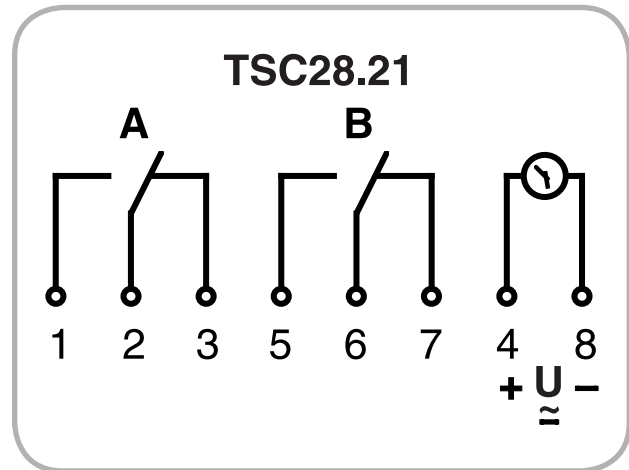
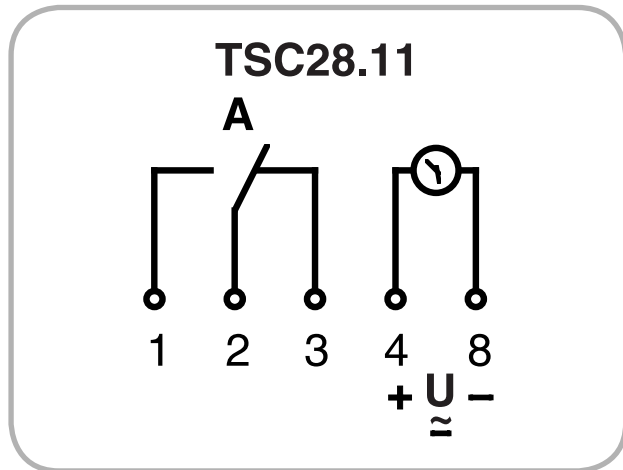


Impuls

If an impulse is set at a given time the output relay switches into on-position for the set time period.



Connections



Dimensions

